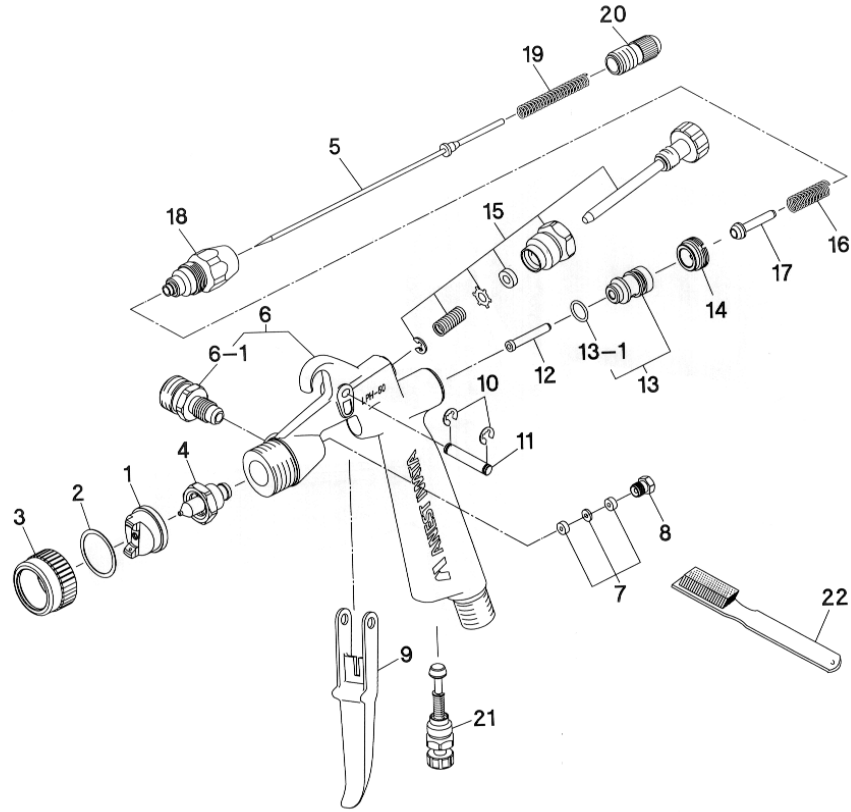


IWATA LPH-50

ver. 2005-1



#	ITEM DESCRIPTION	PRICE CODE	ITEM #	LPH 50	RG 3	G6
1	Air Cap	J	I 301 1	●		
2	Packing	A	I 303 1	●		
3	Cover Ring	D	I 305 1	●		
6	Gun Body Set	O	I 307 1	●		●
6-1	Fluid Cup Joint	D	I 212 2	●	●	●
7	Fluid Needle Packing	D	I 215 2	●	●	●
8	Needle Packing Seat	A	I 219 2	●	●	●
9	Trigger	C	I 233 1	●	●	●
10	E Stopper 2pcs/pk	A	I 332 1	●		●
11	Trigger Stud	A	I 234 1	●	●	●
12	Air Valve Shaft	C	I 202 3	●	●	●
13	Air Valve Seat Set	F	I 205 2	●	●	●
5	Fluid Needle	F	I 314 1	Opt	Opt	
	0.4 mm	F	I 314 2	●	●	
	0.6 mm	F	I 314 3	Opt	Opt	
	1.0 mm					
13-1	Gasket Air Valve Seat	A	I 217 1	●	●	●
4	Fluid Nozzle	J	I 316 1	Opt		
	0.4 mm	J	I 316 2	●		
	0.6 mm	J	I 316 3	Opt		
	1.0 mm					
4	Air Valve Seat Screw	A	I 205 3	●	●	●

#	ITEM DESCRIPTION	PRICE CODE	ITEM #	LPH 50	RG 3	G6
15	Pattern Adjusting Set	G	I 335 1	●		
16	Air Valve Spring	A	I 206 2	●	●	●
17	Air Valve	C	I 202 2	●	●	●
18	Fluid Adjust Guide Set	F	I 208 2	●	●	●
19	Needle Spring	B	I 225 2	●	●	●
20	Fluid Adjusting Knob	C	I 209 1	●		
21	Air Adjusting Set	E	I 310 1	●		
22	Cleaning Brush	A	I 336 1	●	●	
23	Spanner	C	I 230 1	●		●
	Fluid Cup 4 oz. (PC-61)	I	I 210 1	●	●	Opt
	Fluid Cup 7 oz. (PC-51)	I	I 210 2	Opt	Opt	Opt
	Fluid Cup 8 oz. (PC-5)	I	I 210 3	Opt	Opt	Opt
	Fluid Cup Lid (PC-61)	D	I 211 1	●	●	Opt
	Fluid Cup Lid (PC-51)	D	I 211 2	Opt	Opt	Opt
	Fluid Cup Lid (PC-5)	D	I 211 3	Opt	Opt	Opt