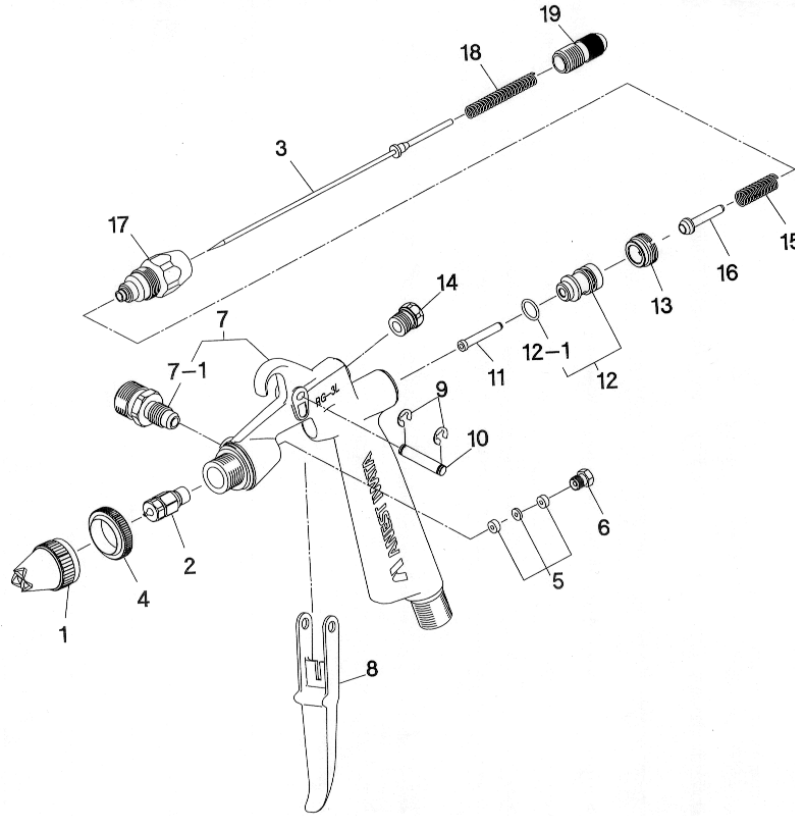


IWATA RG-3



#	ITEM DESCRIPTION	PRICE CODE	ITEM #	RG 3	LPH 50	G6
1	Air Cap 0.4 mm 0.6 mm 1.0 mm (Fan Pattern) 0.6 mm	G	I 201 6	Opt		
		G	I 201 7	Opt		
		G	I 201 8	Opt		
		G	I 201 9	●		
4	Jam Nut	D	I 218 1	●	●	●
5	Fl. Needle Packing	D	I 215 2	●	●	●
6	Needle Packing Seat	A	I 219 2	●	●	●
7	Body	N	I 207 3	●		
7-1	Fluid Cup Joint	D	I 212 2	●	●	●
8	Trigger	C	I 233 1	●	●	●
9	Stopper-trigger stud	A	I 232 2		●	
10	Trigger Stud	A	I 234 1	●	●	●
11	Air Valve Shaft	C	I 202 3	●	●	●
12	Air Valve Seat Set	F	I 205 2	●	●	●
2	Fluid Needle 0.4 mm 0.6 mm 1.0 mm	F	I 214 4	Opt	Opt	
		F	I 214 5	●	●	
		F	I 214 6	Opt	Opt	
12-1	Gasket Air Valve Seat	A	I 217 1	●	●	●

#	ITEM DESCRIPTION	PRICE CODE	ITEM #	RG 3	LPH 50	G6
2	Fluid Nozzle 0.4 mm 0.6 mm 1.0 mm	G	I 216 1	Opt		
		G	I 216 2	●		
		G	I 216 3	Opt		
13	Air Valve Seat Screw	A	I 205 3	●	●	●
14	Blanking Screw	C	I 207 4	●		
15	Air Valve Spring	A	I 206 2	●	●	●
16	Air Valve	C	I 202 2	●	●	●
17	Fluid Adjust Guide Set	F	I 208 2	●	●	●
18	Needle Spring	B	I 225 2	●	●	●
19	Fluid Adjusting Knob	C	I 209 1	●		●
	Spanner	D	I 230 2	●		
	Fluid Cup 4 oz. (PC-61)	I	I 210 1	●	●	Opt
	Fluid Cup 7 oz. (PC-51)	I	I 210 2	Opt	Opt	Opt
	Fluid Cup 8 oz. (PC-5)	I	I 210 3	Opt	Opt	Opt
	Fluid Cup Lid (PC-61)	D	I 211 1	●	●	Opt
	Fluid Cup Lid (PC-51)	D	I 211 2	Opt	Opt	Opt
	Fluid Cup Lid (PC-5)	D	I 211 3	Opt	Opt	Opt